

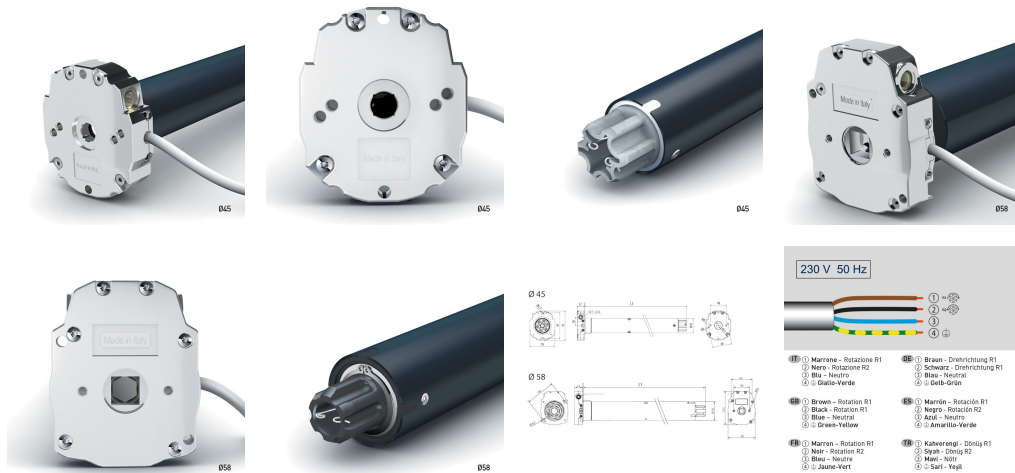
OCEAN

For your safety: motor equipped with manual override!

Activation by switch. Mechanical limit switch.



Device suitable for **ROLLING SHUTTERS, AWNINGS, PERGOLAS**



ELECTRONIC LIMIT SWITCH AND OVERRIDE DEVICE

Reliable and easy adjustment of the limit switches.
Double access to the adjusting screws.

COMPACT OVERRIDE

Thanks to its small size, this device can be installed in limited spaces.
The reduction ratio is 1:24 (Ø45) and 1:55 (Ø58).

ATTACHMENT WITHOUT BRACKETS

Thanks to the metallic head, the motor can be fastened directly to the bracket without needing additional supports.

STRENGTH AND SAFETY

The star-shaped metallic reducer pin makes the motor highly reliable.



MAIN CHARACTERISTICS

Code	Output torque (Nm)	Diameter	Fast motors	Head	Speed (rpm)	Certification
CMS45151700	15	45		Zama	17	CE
CMS45251700	25	45		Zama	17	CE
CMS45321700	32	45		Zama	17	CE
CMS45401700	40	45		Zama	17	CE
CMS45501200	50	45		Zama	12	CE
CMS58027500	20	58	X	Zama	75	CE
CMS58061700	65	58		Zama	17	CE
CMS58081700	85	58		Zama	17	CE
CMS58101100	100	58		Zama	11	CE
CMS58121100	120	58		Zama	11	CE



TECHNICAL FEATURES

Characteristics	15/17 - CMS45151700	25/17 - CMS45251700	32/17 - CMS45321700	40/17 - CMS45401700	50/12 - CMS45501200	20/75 - CMS58027500	65/17 - CMS58061700	85/17 - CMS58081700	100/11 - CMS58101100	120/11 - CMS58121100
Motor torque (Nm)	15	25	32	40	50	20	65	85	100	120
Speed	17 rpm	17 rpm	17 rpm	17 rpm	12 rpm	75 rpm	17 rpm	17 rpm	11 rpm	11 rpm
Mechanical limit switch	32	32	32	32	32	29	29	29	29	29
Power (W)	170	225	250	275	275	415	330	375	360	415
Power supply (V/Hz)	230/50	230/50	230/50	230/50	230/50	230/50	230/50	230/50	230/50	230/50
Consumption (A)	0,8	1	1,1	1,25	1,25	1,9	1,5	1,7	1,6	1,9
Cable 4 x 0,75 (m)	2,5	2,5	2,5	2,5	2,5	2,5	2,5	2,5	2,5	2,5
Operating time (min)	4	4	4	4	4	4	4	4	4	4
Protection degree	IP44	IP44	IP44	IP44	IP44	IP44	IP44	IP44	IP44	IP44
Weight (kg)	3,7	4	4	4	4	7	7	7	7	7
L1 (mm)	646	646	646	646	646	703	703	703	703	703

